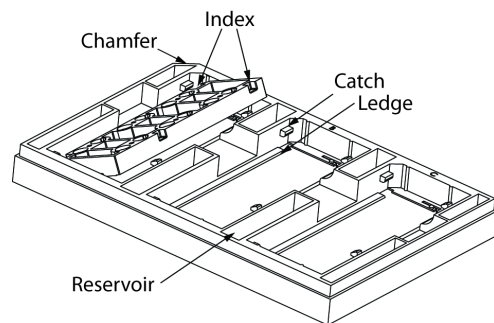
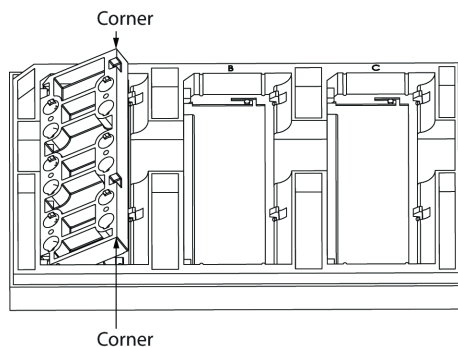


# HOL-1 Quick Start Guide

## 1 AIM Chip Assembly

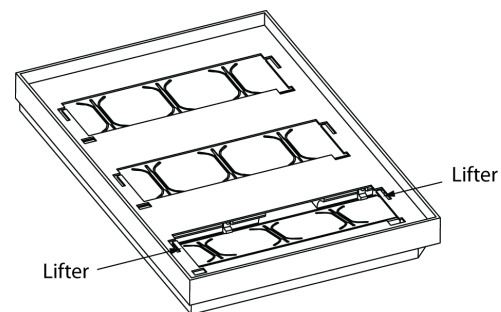


- Align AIM chips to the chip holder by matching their chamfers.
- Tilt AIM chips and slide them into the space between the catches and the ledge and make sure the catches and indexes are matched.



- Press down the two corners of the AIM chip (the side in contact with snaps) until the AIM chip sits in tightly. Make sure the snaps bend backwards (away from the side with chamfer) while the AIM chip is being pressed down.

## 2 AIM Chip Removal



For illustration of lifters only. **Do not** flip the holder while removing the AIM chips.

- Remove water from all reservoirs (if any) and medium from all ports of the AIM chip that is going to be removed from the holder.
- Hold the AIM holder (with AIM chips assembled) on the long sides with both hands.
- Place your index fingers below the lifters and push the lifters up. The snaps will first dislodge from the indexes but still grab on the long side of the AIM chip.
- Continue to push gently until the long side of the AIM chip is free from the snaps. You may place your thumbs at the corners of the AIM chip to prevent it from flipping. Remove the AIM chip.

## 3 Humidity Control

- Add 1 ml of sterilized water into each of the larger reservoirs while 0.5 ml of sterilized water into each of the smaller reservoirs.
- Cover AIM holders with the dedicated cover.
- Replenish the water in the reservoirs weekly or when the water cannot cover the full surface of the reservoirs, whichever comes first, for long term cell culture.

**Reminder** Handle holders with care as water in the reservoirs may spill. Other alternatives for humidity control such as low percentage agarose gel or wetted sterilized paper towels may also be used if the spillage of water is a concern